

## USE AND CARE GUIDE

### LOW VOLTAGE LANDSCAPE LIGHTING (FLOOD LIGHT 12 VOLT SERIES)



**WARNING:** This luminaire is intended for installation in accordance with local codes and the National Electric Code (NEC). Failure to adhere to these codes and instructions may result in serious injury, property damage and void the warranty. When using multiple fixtures, do not exceed the total wattage load as specified by the transformer rating. This product is designed for above ground installation only. Keep these installation instructions for future use.



**CAUTION:** Install the fixtures no less than ten feet (3.05m) from pools, spas, or fountains to minimize risk of electric shock. Always use UL listed wire and wire connectors for connections.



**CAUTION:** Make sure all connectors are tightly secured to prevent water entry.



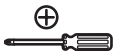
**CAUTION:** Only for use with low voltage landscape lighting power units with a maximum output rating of 12 volts, 25A per secondary.



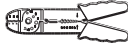
**CAUTION:** Reliable operating temperature is -4°F to 113°F (-20°C to 45°C). No Bulbs to Replace.

Account for small parts and destroy packing material, as these may be hazardous to children.

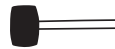
### TOOLS REQUIRED (not supplied)



Phillips screwdriver



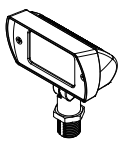
Wire Strippers



Rubber Mallet

### HARDWARE CONTENTS Note: Hardware not shown actual size.

#### FIXTURE PARTS



AA

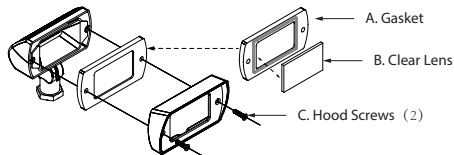


BB



CC

#### LENS REPLACEMENT PARTS (INCLUDED: A/B/C)



The fixture is supplied with a frosted lens installed and an accessory clear lens included. If the clear lens is desired, follow these steps:

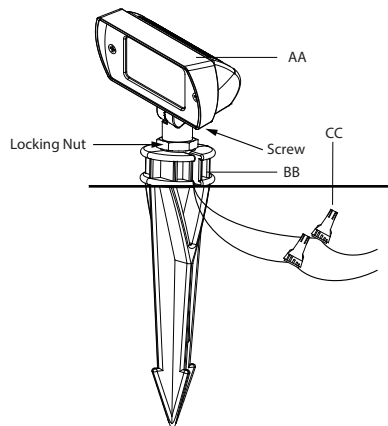
1. Prior to installing or servicing this product, disconnect the transformer from the main power supply.
2. Loosen the two hood screws and remove the hood from the fixture.
3. Remove the existing lens from the fixture and remove the lens from the gasket.
4. Insert the new lens into the gasket and re-install back into the fixture in the same orientation as when removed.
5. Replace the hood and tighten the hood screws.

Part	Description	Quantity
AA	Fixture Body	1
BB	8" Ground Stake	1
CC	Waterproof Connectors	2

Remove the fixture and the mounting package from the box and make sure that no parts are missing by referencing the illustrations on the installation instructions.

## ASSEMBLY INSTRUCTIONS

1. Prior to installing or servicing this product, disconnect the transformer from the main power supply.
2. Insert the pigtail wires from the bottom of the fixture through the hole and slot located on the head of the mounting stake (BB).
3. Screw the fixture into the mounting stake (BB) hole. Secure the fixture body (AA) in the desired position by tightening the locking nut.
4. Place the fixture/stake in the desired location. Insert the stake into the ground in the desired location until the bottom of the stake head rests on the ground surface.
5. Strip the two fixture pigtail wires. Attach the two fixture leads to the two main supply cable leads using the two provided waterproof connectors (CC). Please note that the fixture wiring should be buried no deeper than six inches to ensure connectivity to the main supply cable.
6. Using a Phillips head screwdriver, loosen the screw located in the knuckle. Angle the fixture to the desired position and retighten the screw.
7. Reconnect the transformer to the main power supply. Turn on the power to the fixture and verify proper position and operation.



**Note: In hard soil, the mounting stake can be inserted into the ground using a rubber mallet, prior to attaching the fixture.**

Flood lights have an operating voltage range of 10-15 volts AC. Operating flood lights with voltage greater than 15V may damage the internal components of the LED and voids the manufacturer warranty. Flood lights maintain light output, full color, and instant start capabilities to temperatures down to -20 degrees Celsius. Flood lights will operate at the desired light output with voltage as low as 10V and as high as 15V, providing balanced light output from the fixture located closest to the transformer to the fixture located furthest from the transformer.

## CARE AND MAINTENANCE

To clean, turn off and wipe with a damp, non-abrasive cloth.