

# Swing Risers

**Try Our Industry-Leading Swing Risers on Your Next Project**



**Landscape Products compression-style swing risers are made of 100 percent virgin material, pre-assembled and pressure tested for leak-free operation.** They incorporate compression elbows that swivel on the swing pipe and provide flexibility on the riser—perfect for your next project!

Manufactured using the same quality materials, Landscape Products also offers conventional hard spiral barb style risers. Proudly manufactured in our state-of-the-art facility in Tolleson, AZ.

## Spiral barb fitting style

- Available in 7 and 13-inch lengths.
- Reduced blow-off failure at high pressure over competitive products.
- Assembly fittings may be adjusted to address specific applications at the installation site.
- Available in various factory assembled lengths and configurations.

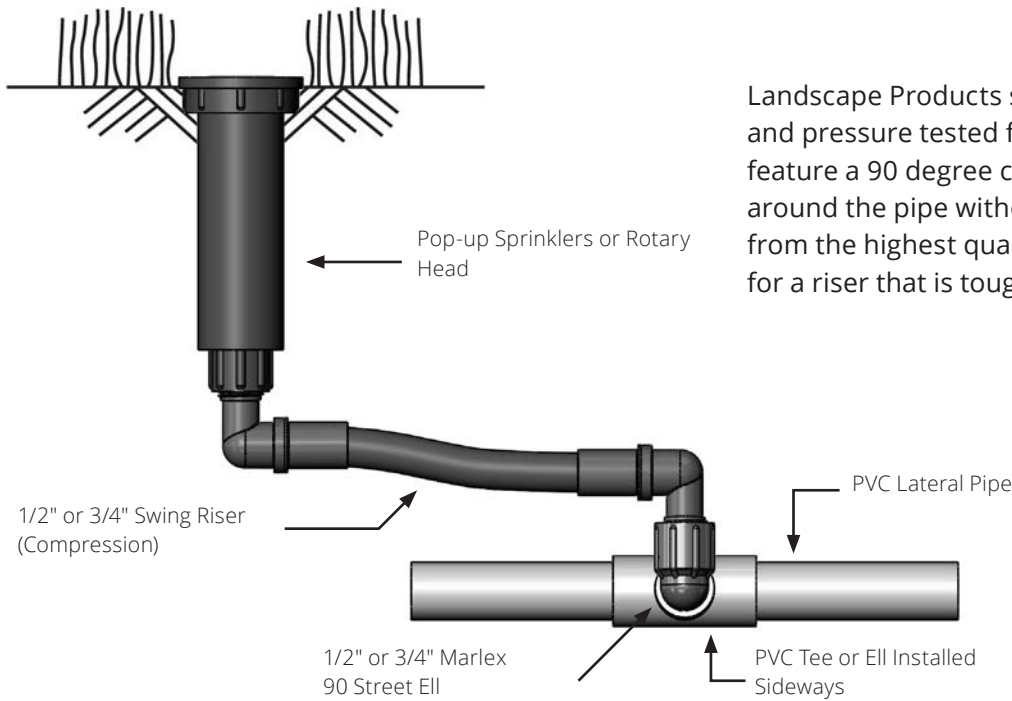


## Compression fitting style

- Available in 6 and 12-inch lengths.
- Zero pressure loss across the fittings because the ID of the fitting is larger than the ID of the pipe.
- Easily field adjustable with only one contact point between the hose and the fitting.
- Available in various factory assembled lengths and configurations.



**For more information or to find a distributor contact:**



Landscape Products swing risers are pre-assembled and pressure tested for leak-free operation. They feature a 90 degree compression elbow that swivels around the pipe without creating leaks. They are made from the highest quality resin with added elastomers for a riser that is tough and resilient, yet flexible.

**Swing Risers-Compression** Max. operating pressure 85 PSI. Pressure rating up to 150 PSI.

01001100 1/2" x 1/2" x 7"		01001105 1/2" x 1/2" x 13"	
01001102 1/2" x 3/4" x 7"		01001107 1/2" x 3/4" x 13"	
01001104 3/4" x 3/4" x 7"		01001108 3/4" x 3/4" x 13"	

**Swing Risers-Barbed** Max. operating pressure 85 PSI. Pressure rating up to 120 PSI.

01001010 1/2" x 1/2" x 6"		01001040 1/2" x 3/4" x 12"	
01001020 1/2" x 1/2" x 6"		01001050 1/2" x 1/2" x 12"	
01001030 1/2" x 1/2" x 12"		01001060 1/2" x 3/4" x 12"	