

CWV Ball Valves



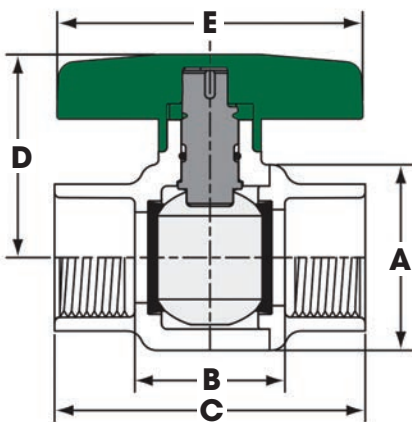
Landscape Products CWV Ball Valves offer a great combination of quality and affordability. These general purpose cold water valves are made in the USA using premium grade resins and are produced with the highest quality standards.

They have a quarter-turn shutoff valve designed for irrigation, spas, pools and other general cold water applications.



Features

- Available in 1/2" - 2" slip socket and threaded models
- Economical sealed unit assembled with silicone-free, water soluble lubricant
- Chemical and corrosion resistant PVC construction
- EPDM O-rings
- NSF® certified for potable water use
- ASTM D 1784 cell classification 12454
- Sizes 1/2" - 2" are pressure rated to 125 PSI at 73°F
- High impact polypropylene handle



Slip Socket

SKU	Size (in)	A (in)	B (in)	C (in)	D (in)	E (in)
20000105	1/2"	1-5/16"	1-7/32"	2-5/8"	1-9/16"	2-5/8"
20000107	3/4"	1-5/8"	1-15/32"	2-15/16"	1-15/16"	2-7/8"
20000110	1"	1-7/8"	1-5/8"	3-7/16"	2-1/4"	3-3/8"
20000112	1-1/4"	2-3/8"	2"	3-7/8"	2-3/4"	3-7/8"
20000115	1-1/2"	2-3/4"	2-7/16"	4-5/8"	3-1/8"	4-1/2"
20000120	2"	3 11/32"	2-25/32"	5-1/8"	3-23/32"	4-31/32"

Threaded

SKU	Size (in)	A (in)	B (in)	C (in)	D (in)	E (in)
20000205	1/2"	1-5/16"	1-7/32"	2-5/8"	1-9/16"	2-5/8"
20000207	3/4"	1-5/8"	1-7/16"	2-15/16"	1-15/16"	2-7/8"
20000210	1"	1-7/8"	1-5/8"	3-7/16"	2-1/4"	3-3/8"
20000215	1-1/2"	2-3/4"	2-3/4"	4-5/8"	3-1/8"	4-1/2"
20000220	2"	3-11/32"	2-25/32"	5-1/8"	3-23/32"	4-31/32"

⚠WARNING: This product can expose you to certain chemicals known to the State of California to cause cancer and birth defects or other reproductive harm. For more information, go to www.P65Warnings.ca.gov.

NOT FOR DISTRIBUTION OF COMPRESSED AIR OR GAS.

For more information or to find a distributor contact: