

1/4" DRIPLINE

6" & 12" Emitter Spacing



For Trees, Shrubs, Vegetable and Flower Gardens

Made with high quality Dow Chemical virgin 7510 UV resistant polyethylene to be the most durable in the industry. Landscape Products 1/4-inch dripline is available with emitters at 6-inch or 12-inch spacing, making it ideal for residential and commercial applications. UV stabilized brown coloring protects the tubing from the harmful effects of the sun and blends perfectly into the landscaping.

- **Easy Installation**
- **Water Only Where Needed**
- **Feed from Either End**
- **Blends into the Landscape**

Ideal for use in drip irrigation systems for trees, vegetable gardens, flowers, shrub and groundcover beds.



www.landscapeproductsinc.com

For more information or to find a distributor, contact: Landscape Products Inc.

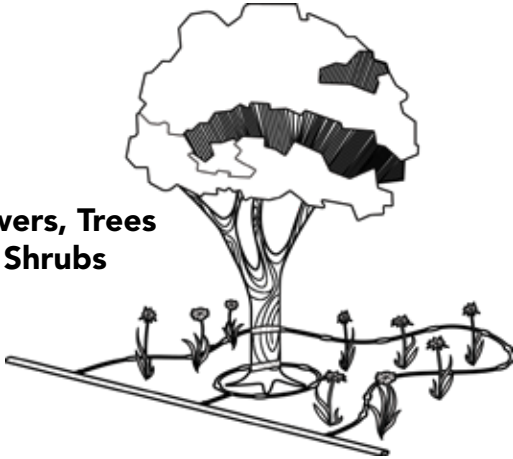
Tolleson – 610 S. 80th Ave., Tolleson, AZ 85353
Office: (623) 643-9704 | Fax: (623) 643-9734

Kissimmee – 1045 Garden St., Unit 5, Kissimmee, FL 34744
Office: (407) 932-0900 | Fax: (407) 932-0901

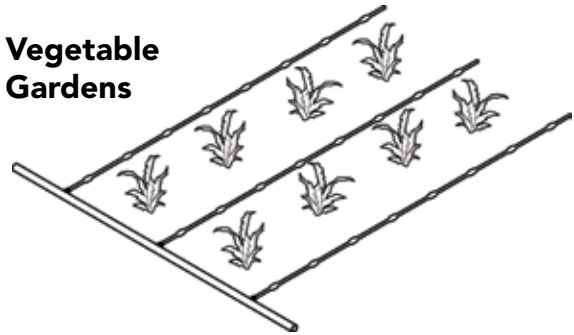
1/4" DRIPLINE

6" & 12" Emitter Spacing

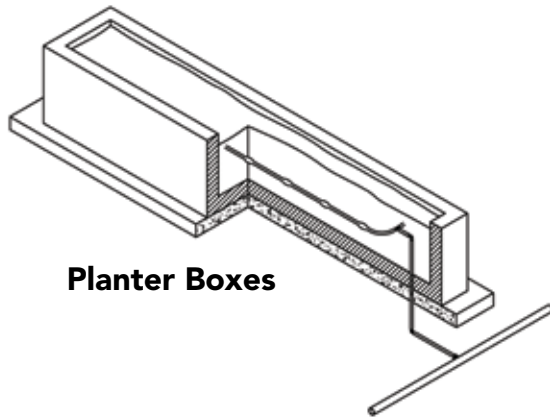
Flowers, Trees and Shrubs



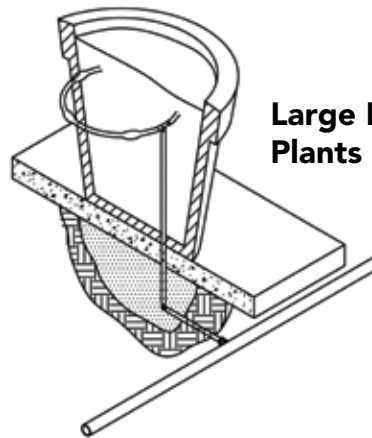
Vegetable Gardens



Planter Boxes



Large Potted Plants



Non-Compensating Flow Rate At Various Pressures

Pressure	10 PSI	15 PSI	20 PSI	25 PSI	30 PSI
Emitter Discharge Rate	0.37 GPH	0.46 GPH	0.52 GPH	0.59 GPH	0.65 GPH

Maximum of 200' of 6" Landscape Products 1/4" DRIPLINE per 1/2" supply header tubing (3 1/2 gpm @ 20 PSI)

Maximum of 400' of 12" Landscape Products 1/4" DRIPLINE per 1/2" supply header tubing (3 1/2 gpm @ 20 PSI)

Product Selection & Specification Chart

Item Number	Emitter Spacing	Coil Size	I.D. Inches	O.D. (Inches)	Wall (Inches)	Max. Operating PSI	Max. Length Of Run	Flow/Foot at 20 Psi
12070010	BLANK	100'	0.170	0.250	0.040	30 PSI	N/A	N/A
12070110	6"	100'	0.170	0.250	0.040	30 PSI	19 ft.	1.0 gph/ft.
12070150	6"	500'	0.170	0.250	0.040	30 PSI	19 ft.	1.0 gph/ft.
12070210	12"	100'	0.170	0.250	0.040	30 PSI	33 ft.	0.5 gph/ft.
12070250	12"	500'	0.170	0.250	0.040	30 PSI	33 ft.	0.5 gph/ft.