

Dripline or Point Source Emitter

RETRO DRIP ADAPTER



Convert Sprinklers to Drip Irrigation

Quickly and easily convert sprinklers to drip irrigation with the Landscape Products Retro Drip Adapter. It's ideal for installing dripline or tubing in place of sprinklers to save water and reduce overspray.

The Retro Drip Adapter includes a pressure regulator, filter and two outlets. Simply screw it onto a 1/2-inch riser, replacing an existing sprinkler. For dense shrubs and groundcover beds, use Landscape Product's Barb Insert Female Hose Swivel to attach EZ-ID CV Dripline. For sparsely planted landscapes, use the Compression Female Hose Swivel and 710 PE Tubing. Unused sprinklers in the zone can be closed off with the Universal Sprinkler Shut-Off Caps as needed.

Features

- Built in pressure reducer
 - Drip zone flow between 0.5 gpm/30 gph and 1.0 gpm/60 gph regulates to 40 psi
 - Drip zone flow between 1.0 gpm/60 gph and 6.5 gpm/390 gph regulates to 30 psi.
- 150 mesh/100 micron filter to prevent clogs
- Two outlets for maximum flow of 6.5 gpm
- 1/2-inch female pipe thread inlet
- 3/4-inch male hose thread outlets
- Made with durable polypropylene
- Maximum inlet pressure of 90 psi



www.landscapeproductsinc.com

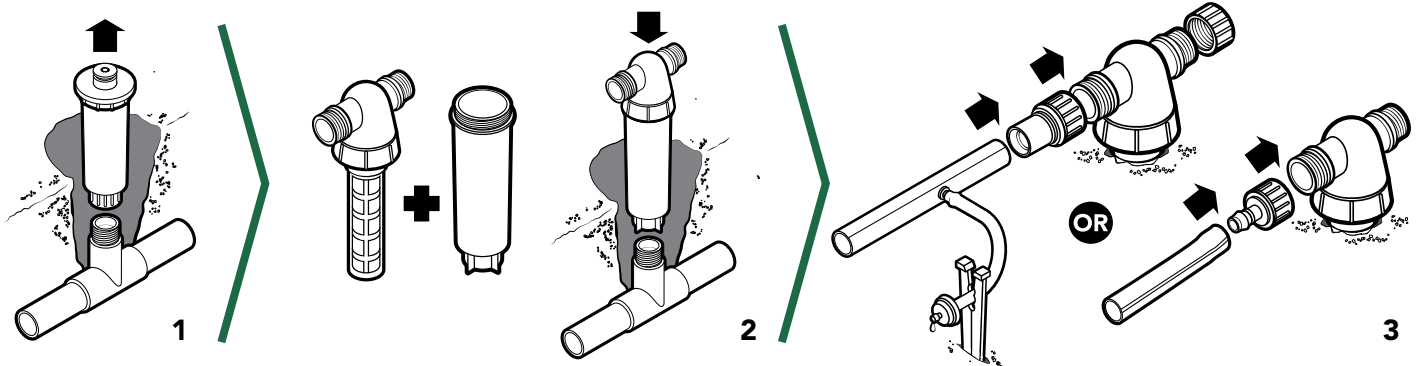
For more information or to find a distributor, contact:

Landscape Products Inc., Tolleson
610 S. 80th Ave., Tolleson, AZ 85353
Office: 623.643.9704 | Fax: 623.643.9734

Landscape Products Inc., Kissimmee
1045 Garden St., Unit 5, Kissimmee, FL 34744
Office: 407.932.0900 | Fax: 407.932.0901

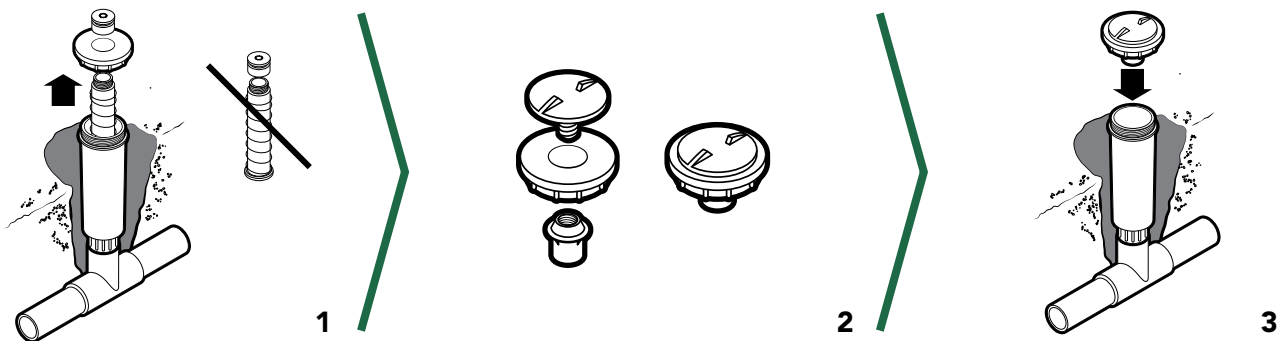
CONVERSION

1. Remove pop-up spray head
2. Screw adapter body onto riser pipe. Flush system, then add filter and adaptor top.
3. Connect fittings and tubing for point source, or dripline irrigation. Cap unused outlets.



CAP-OFF

1. Remove internal sprinkler components (stem, nozzle, and spring) from unused spray heads.
2. Place tab portion of cap-off device through top of spray head cap. Thread on lower portion of cap-off device.
3. Thread assembly onto spray head.



Drip Conversion Products + Accessories



Retro Drip Adapter (12001300)
 Adapter with filter and pressure regulator for converting a sprinkler head to drip irrigation.



17 MM Barb Insert x 3/4" Female Hose Swivel (12051080)
 Outlet fitting for 17 MM dripline.



710 Compression x 3/4" Female Hose Swivel (12003180)
 Outlet fitting for 710 PE tubing.



Universal Sprinkler Shut-Off Cap (12001350)
 Cap for unused sprinklers.



Hose Thread Cap (12000330)
 Cap for unused adapter outlet.