

1/2" SWING RISER PIPE



**NEW TEXTURED SURFACE
FOR BETTER GRIP**

- Landscape Products (LP) textured swing riser pipe helps prevent damage to underground fittings and piping by absorbing above ground shock generated by landscape maintenance equipment.
- LP swing pipe is produced using Dow 7510 material modified for increased flexibility. Dow materials have a 25+ year record of product quality.
- LP swing riser pipe performs best when sprinkler head connections are made using LP spiral barb fittings which have been specially designed to perform at pressures higher than those of competing manufacturers.



www.landscapeproductsinc.com

For more information or to find a distributor contact:
Landscape Products Inc., Tolleson
610 S. 80th Ave., Tolleson, AZ 85353
Office: 623.643.9704 | Fax: 623.643.9734

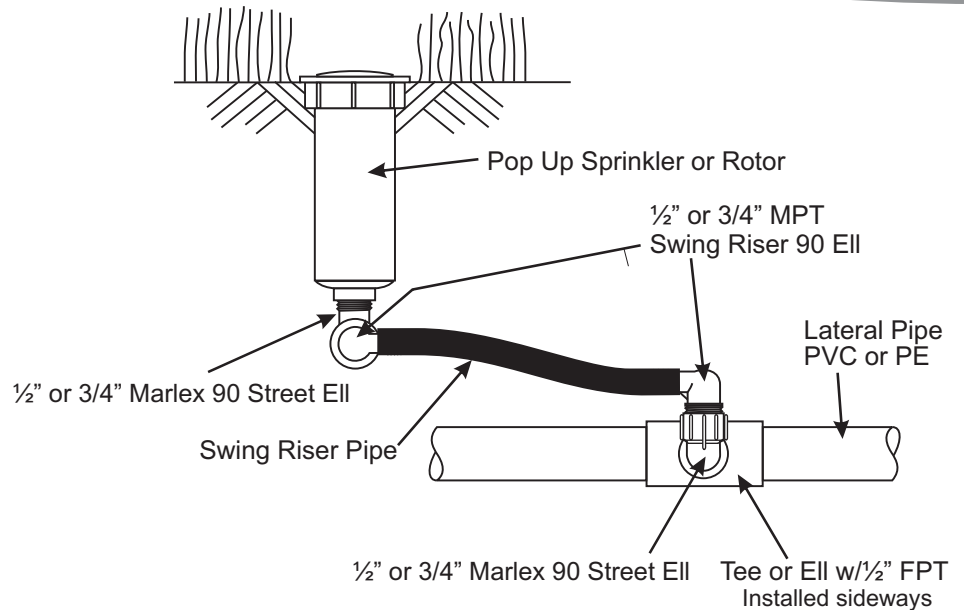
Landscape Products Inc., Kissimmee
1045 Garden St., Unit 5, Kissimmee, FL 34744
Office: 407.932.0900 | Fax: 407.932.0901

1/2" SWING RISER PIPE AND FITTINGS



Specifications:

Item#	01004100
Inside Diameter:	0.490"
Outside Diameter:	0.680"
Wall Thickness:	0.095"
Coil Length:	100 FEET
Coil Weight:	7 LBS
Color:	BLACK
Coils per Pallet:	90
Maximum Operating Pressure 80 PSI @ 110°F	

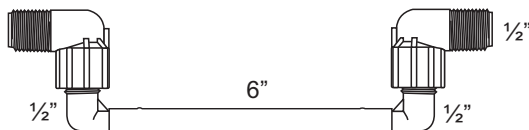


Landscape Products offers two factory assembled swing riser styles:

Spiral barb fitting style -

- Uniquely designed Landscape Products spiral barb fittings feature:
- reduced blow-off failure at high pressure over competitive products.
 - assembly fittings may be adjusted to address specific applications at the installation site.
 - available in various factory assembled lengths and configurations.

For example:

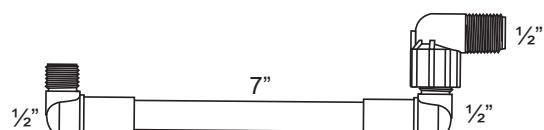


01001020
BARBED DS 1/2 X 1/2 X 6 RISER

Compression fitting style -

- Innovative use of the Landscape Products compression fitting concept provides;
- zero pressure loss across the fittings because the ID of the fitting is larger than the ID of the pipe.
 - easily field adjusted because there is only one contact point between the hose and the fitting.
 - available in various factory assembled lengths and configurations.

For example:



01001100
1/2 X 7 RISER