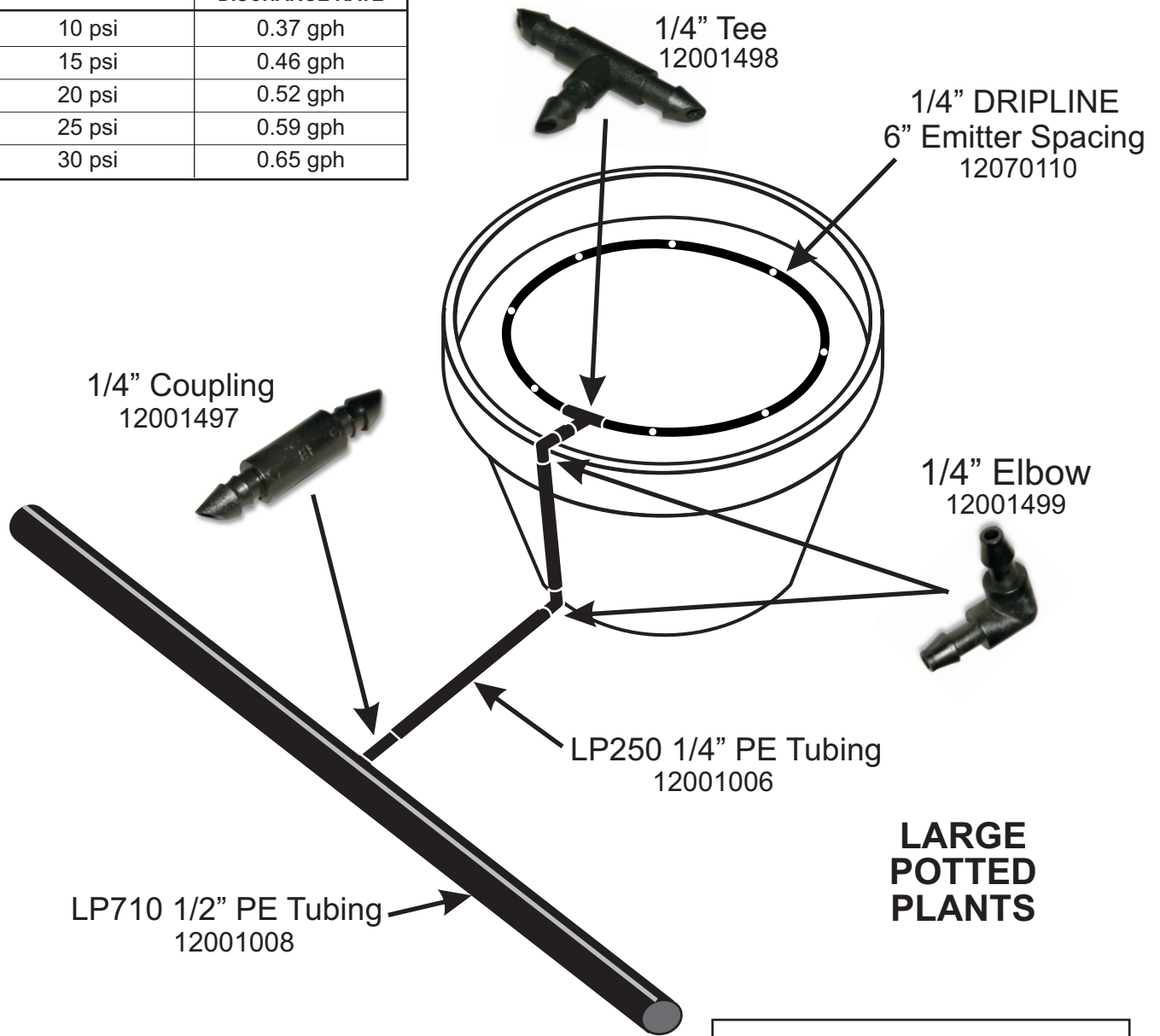


PRESSURE	EMITTER DISCHARGE RATE
10 psi	0.37 gph
15 psi	0.46 gph
20 psi	0.52 gph
25 psi	0.59 gph
30 psi	0.65 gph



Using LP710 PE Tubing Header

NOTE:
 Example pot diameter is 24"
 Drip circle diameter approx. 15"
 8 x 0.50 GPH drippers per circle
 @ 6" spacing.
 4 GPH total flow @ 20 PSI.
 Can water up to 52 pots per 1/2"
 PE tubing header. (3.5 GPM)



1/4" DRIPLINE X 6" SPACING
12070110

