



# HIGH QUALITY 1/4" DRIPLINE 6" & 12" Emitter Spacing



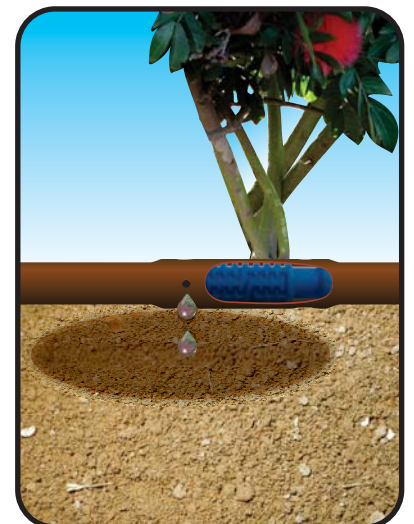
## For Trees, Shrubs, Vegetables & Flower Gardens

All Landscape Products 1/4" Dripline is made using 100% Dow Chemical 7510 polyethylene (PE) material, which has a 25+ year record of product quality. This material is known for having excellent environmental stress crack resistance (ESCR). UV stabilized brown color protects the tubing from the harmful effects of the sun and blends well into the landscape.

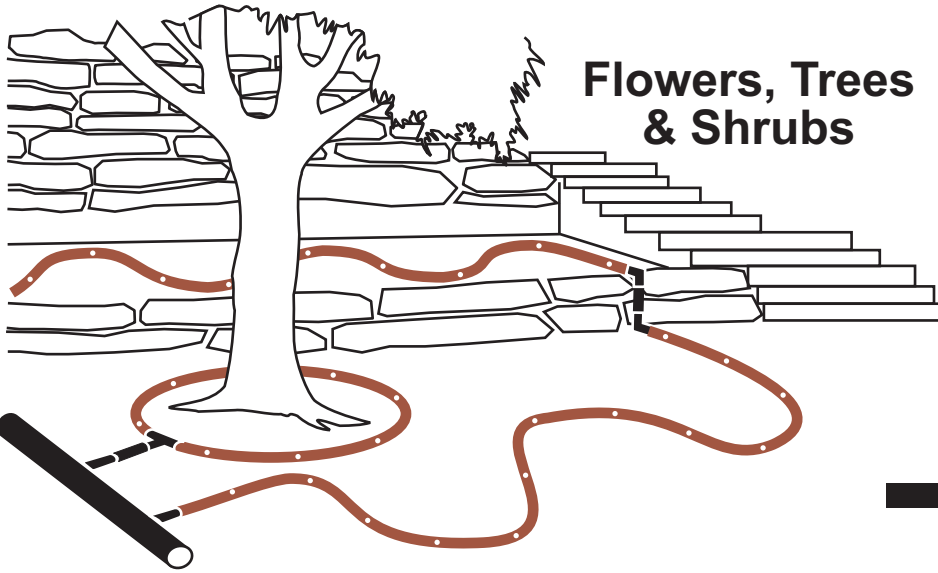
- Easy Installation
- Water Only Where Needed
- Feed from Either End
- Blends into the Landscape

Ideal for use in drip irrigation systems for trees, vegetable gardens, flowers and shrubs.

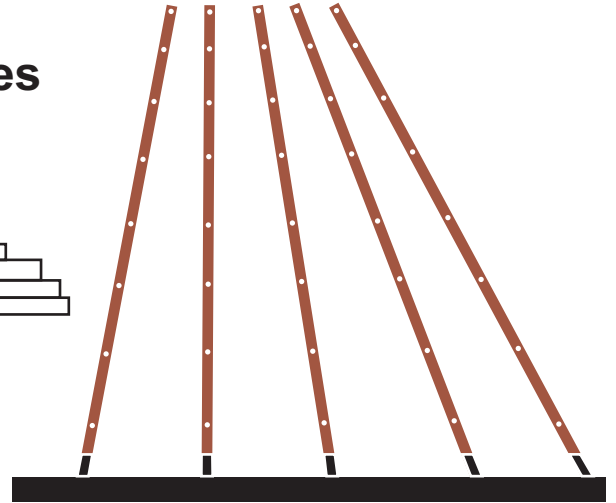
Stop by one of our distributors and ask for high quality 1/4" polyethylene dripline manufactured by Landscape Products.



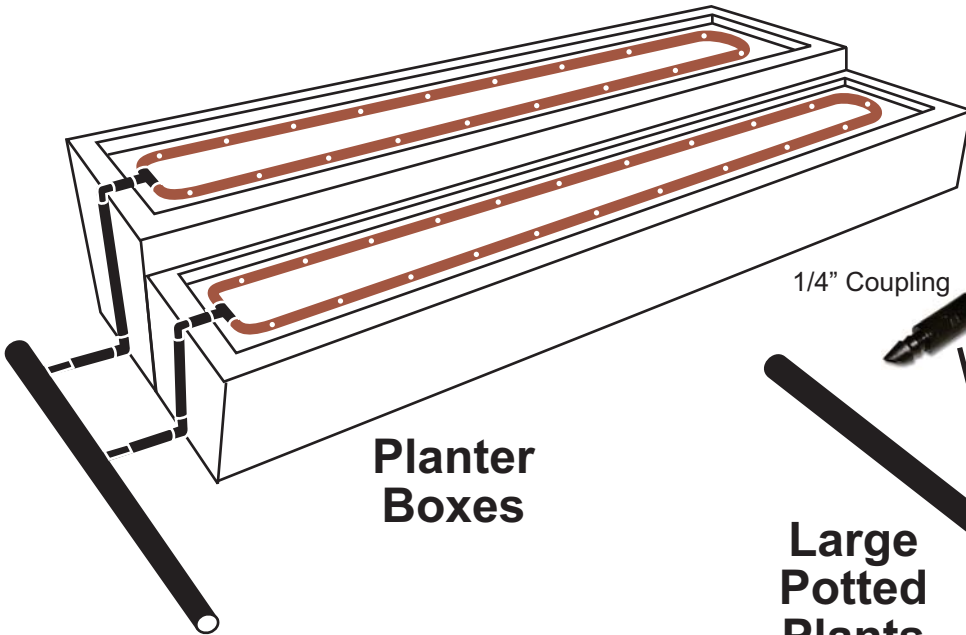
# LANDSCAPE PRODUCTS 1/4" DRIPLINE



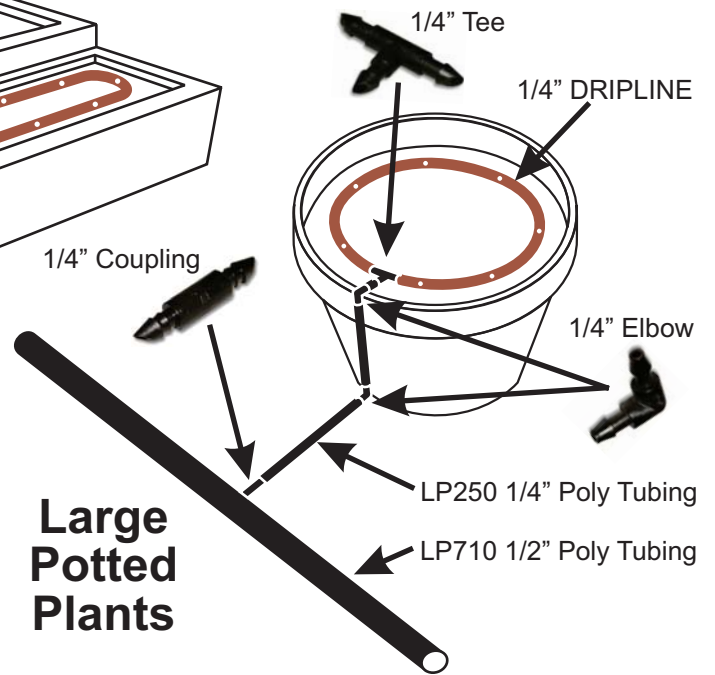
**Flowers, Trees & Shrubs**



**Vegetable Gardens**



**Planter Boxes**



**Large Potted Plants**

PRESSURE	EMITTER DISCHARGE RATE
10 psi	0.37 gph
15 psi	0.46 gph
20 psi	0.52 gph
25 psi	0.59 gph
30 psi	0.65 gph

ITEM NUMBER	I.D. (in)	O.D. (in)	WALL (in)	MAX. OP PRESSURE	EMITTER SPACING	MAX. LENGTH OF RUN	FLOW PER FOOT @20 PSI
12070110	0.170	0.250	0.040	30 psi	6"	19 ft.	1 gph / ft.
12070210	0.170	0.250	0.040	30 psi	12"	33 ft.	½ gph / ft.

Maximum of 200 feet of 6" Landscape Products 1/4" DRIPLINE per ½" supply header tubing (3-1/2 gpm flow at 20 psi).  
 Maximum of 400 feet of 12" Landscape Products 1/4" DRIPLINE per ½" supply header tubing (3-1/2 gpm flow at 20 psi).